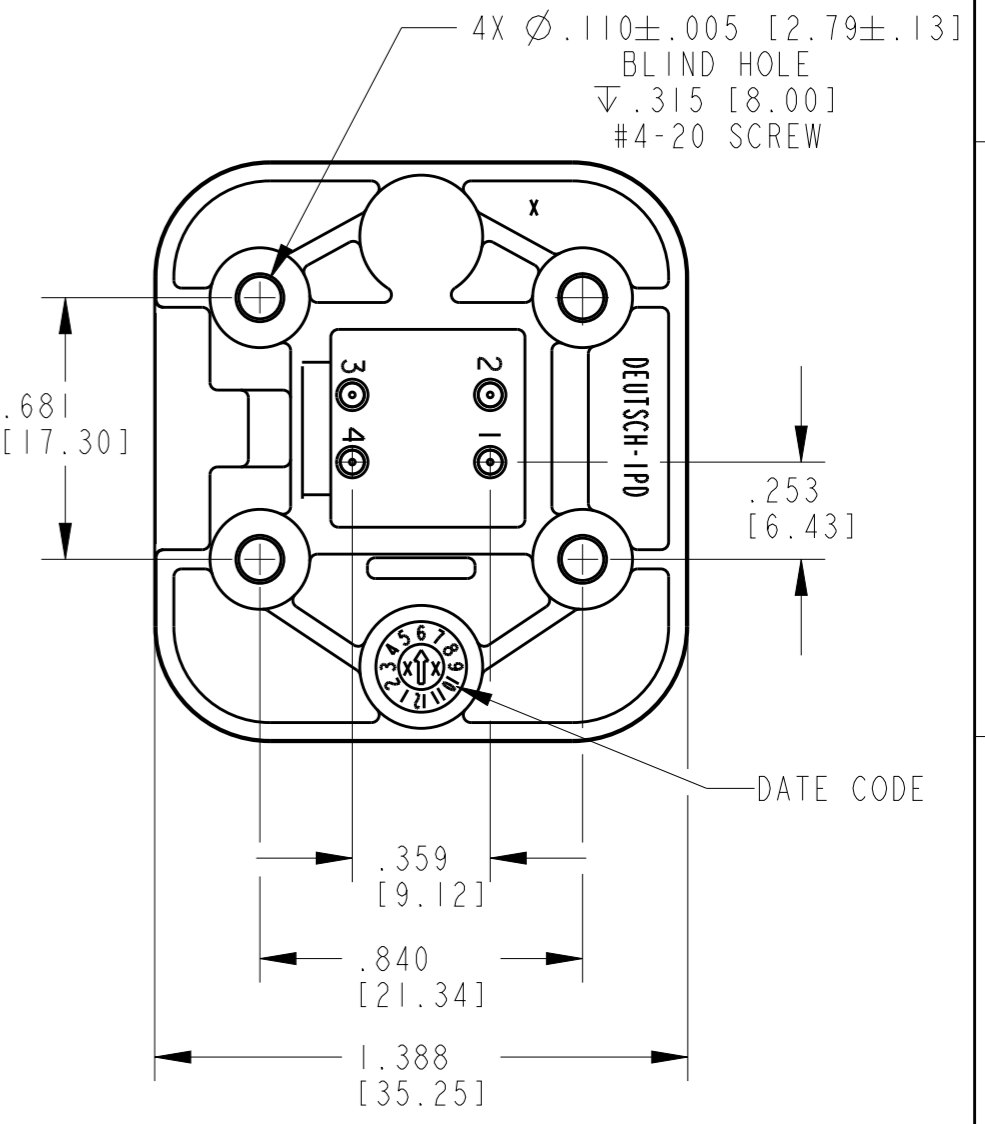
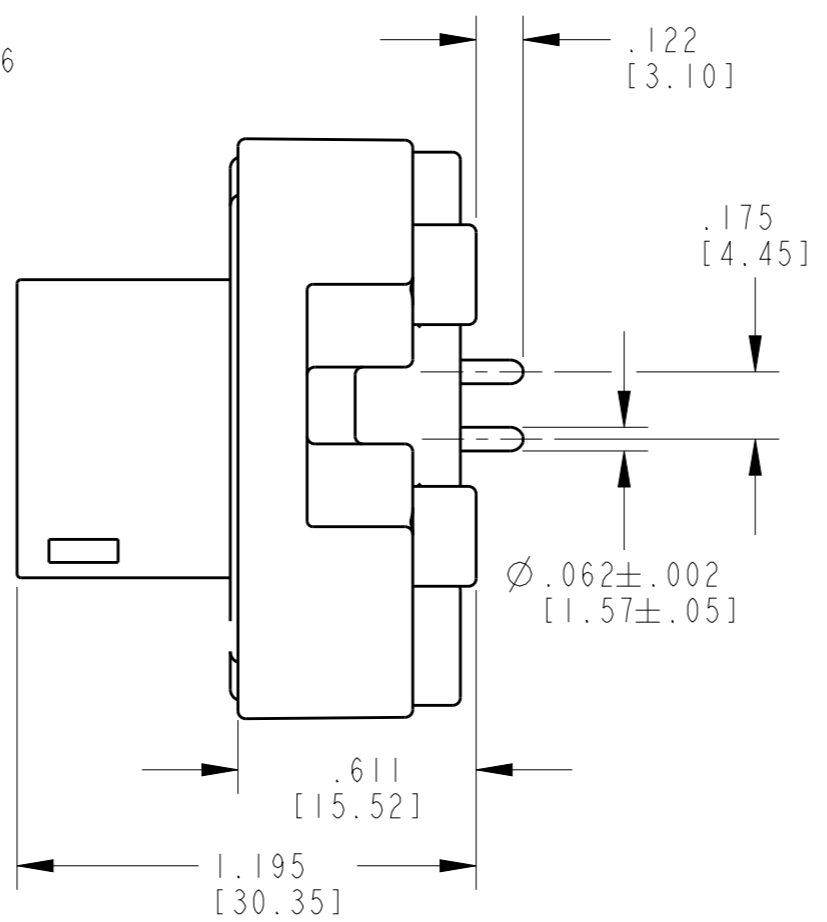
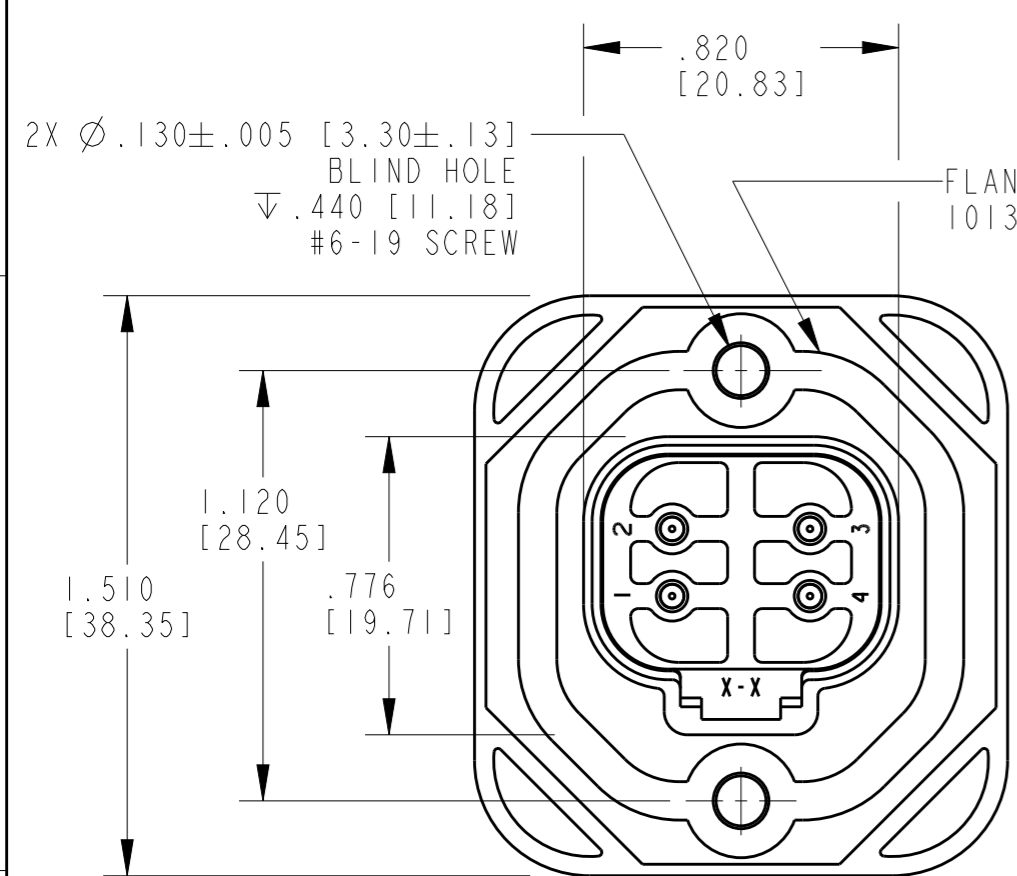


THIS DRAWING IS UNPUBLISHED  
 RELEASED FOR PUBLICATION 2014  
 © COPYRIGHT 2013 BY TE CONNECTIVITY ALL RIGHTS RESERVED.

LOC	DIST	REVISIONS				
P	LTR	DESCRIPTION	DATE	DWN	APVD	
	C	REVISED PER E.O. PI8200	6-16-03		RDR	
	D	REVISED PER E.O. PI9401	11-20-06		RDR	
	D1	REVISED PER ECO-14-010107	03JUL2014	JA	DM	
	D2	REVISED PER PCN E-19-016091	25SEP2019	PK	DM	



7 MINIMUM RECOMMENDED HOLE SIZE. CUSTOMER TO DETERMINE FINISHED HOLE SIZE BASED ON SOLDER PROCESS,

6. MOUNTING SCREW TORQUE VALUES ARE AS FOLLOWS:  
 #6-19 SCREWS: 13±2.0 IN-LB [1.47±.23 N-M].  
 #4-20 SCREWS: 8±2.0 IN-LB [.90±.23 N-M].  
 VALUES VALID FOR PLASTITE 48 SCREWS ONLY.

- 5. RECOMMENDED MOUNTING SCREWS (NOT INCLUDED): CAMCAR PLASTITE 48, SINGLE HELIX.
- 4. THIS RECEPTACLE MATES WITH DT06-4S-XXXX PLUG (XXXX = ALL MODIFICATIONS.)
- 3. CONTACT PLATING - MATING SIDE: NICKEL; PCB SIDE: TIN.

2 MATERIALS:  
 SHELL: PA GF30 (GRAY)  
 SEAL: SILICONE (ORANGE-RED)  
 PIN CONTACTS: COPPER ALLOY

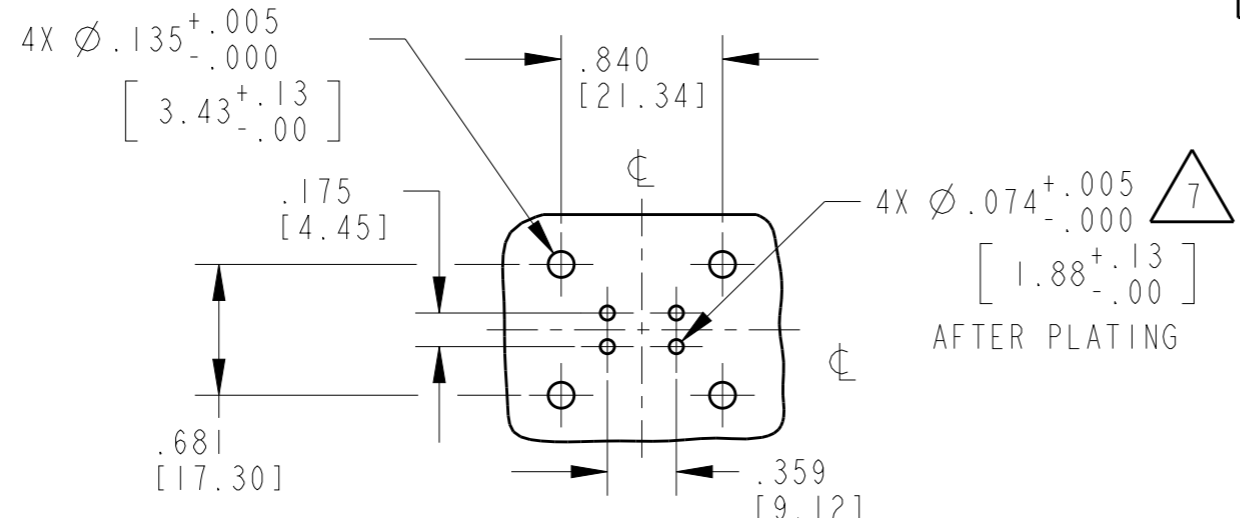
1 DIMENSION TOLERANCE: ±.025 [.64]  
 PANEL CUTOUT: ±.010 [.25]  
 PIN LOCATIONS: ±.005 [.13]  
 MOUNTING HOLE LOCATIONS: ±.005 [.13]  
 PCB LAYOUT: ±.005 [.13]

NOTES:

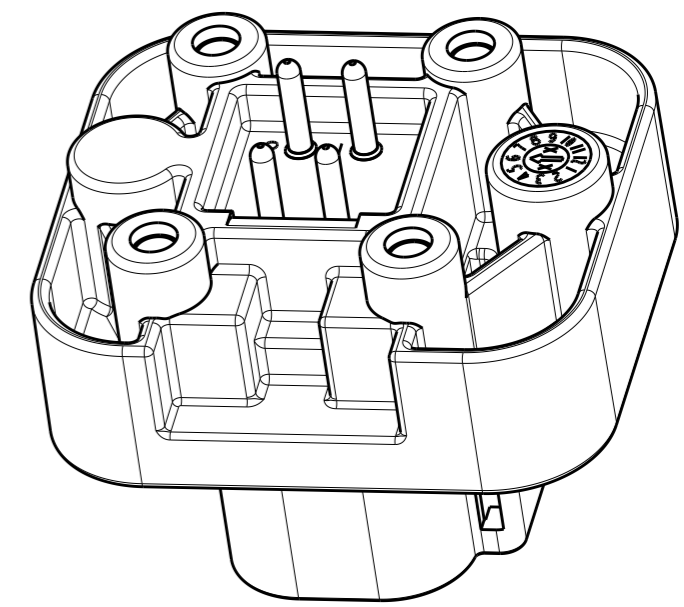
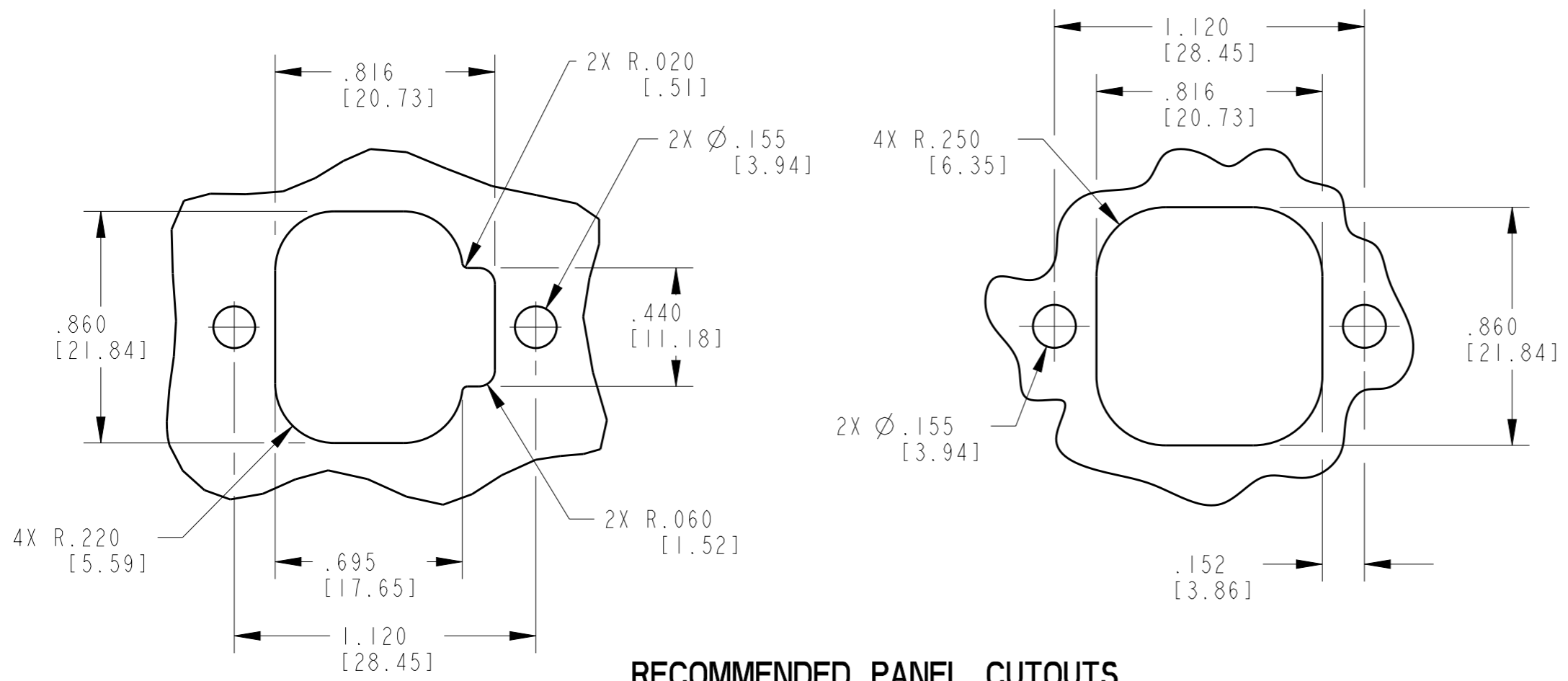
TCPN	ALIAS PART NUMBER
DT15-4P	DT15-4P

THIS DRAWING IS A CONTROLLED DOCUMENT.		DWN	P. BURKE 20DEC2001		<b>STE</b> TE Connectivity
DIMENSIONS: INCHES [mm]		CHK	KEVIN MCKEE 03JUL2014		
		APVD	DAVID MEYER 03JUL2014		
		PRODUCT SPEC		108-151009	
TOLERANCES UNLESS OTHERWISE SPECIFIED:		APPLICATION SPEC		NAME	
0 PLC ±		108-151009		RECEPTACLE HEADER	
1 PLC ±		19g±10%		4 PIN 180 DEG	
2 PLC ±		CUSTOMER DRAWING		DT SERIES	
3 PLC ±		SCALE 2:1		RESTRICTED TO	
4 PLC ±	FINISH	SHEET 1 OF 2		REV D2	
ANGLES ±1°		REV D2			

LOC		DIST		REVISIONS				
P	LTR	DESCRIPTION	DATE	DWN	APVD			
	-	SEE SHEET 1	-	-	-			



**RECOMMENDED PCB LAYOUT**



**RECOMMENDED PANEL CUTOUTS**

THIS DRAWING IS A CONTROLLED DOCUMENT.		DWN P. BURKE 20DEC2001	TE Connectivity				
DIMENSIONS: INCHES [mm]		CHK KEVIN MCKEE 03JUL2014					
TOLERANCES UNLESS OTHERWISE SPECIFIED:		APVD DAVID MEYER 03JUL2014	NAME RECEPTACLE HEADER 4 PIN 180 DEG DT SERIES				
0 PLC ± $\triangle 1$ 1 PLC ± 2 PLC ± 3 PLC ± 4 PLC ± ANGLES ±1°		PRODUCT SPEC 108-151009	SIZE A3	CAGE CODE 4AFU8	DRAWING NO G=DT15-4P	RESTRICTED TO -	
MATERIAL $\triangle 2$		FINISH	WEIGHT 19g±10%	SCALE 2:1		SHEET 2 OF 2	REV D2
		CUSTOMER DRAWING					